



MUSHROOM PUSHBUTTON, 22MM, ROUND, PLASTIC, RED, 40MM, MOMENTARY CONTACT TYPE

Figure similar

product brand name	SIRIUS ACT
Product designation	Commanding and signaling devices
Design of the product	Mushroom pushbutton

**Actuator:**

Design of the operating mechanism	mushromm pushbutton
Manner of function of the actuating element	Momentary contact type
Product expansion optional Light source	No
Color	
• of the actuating element	Red
Material of the actuating element	plastic
Shape of the actuating element	round
Outer diameter of the actuating element	40 mm
Type of unlocking device	without
Number of switching positions	2

**Front ring:**

Product component front ring	Yes
Design of the front ring	Standard
Material of the front ring	plastic
Color of the front ring	black

**General technical data:**

Product function	
• EMERGENCY OFF function	No
• EMERGENCY STOP function	No
Vibration resistance	

• acc. to IEC 60068-2-6	10 ... 500 Hz: 5g
<b>Operating frequency maximum</b>	3 600 1/h
<b>Mechanical service life (switching cycles)</b>	
• typical	10 000 000
<b>Protection class IP</b>	IP66, IP67, IP69(IP69K)
<b>Equipment marking</b>	
• acc. to DIN EN 61346-2	S
• acc. to DIN EN 81346-2	S

#### Ambient conditions:

<b>Ambient temperature</b>	
• during operation	-25 ... +70 °C
• during storage	-40 ... +80 °C
<b>Environmental category during operation acc. to IEC 60721</b>	3K6, 3C3, 3S2, 3M6

#### Installation/ mounting/ dimensions:

<b>Height</b>	40 mm
<b>Width</b>	40 mm
<b>Shape of the installation opening</b>	round
<b>Mounting diameter</b>	22 mm
<b>Mounting height</b>	27.5 mm
<b>Installation width</b>	40 mm
<b>Installation depth</b>	24.4 mm

#### Certificates/ approvals:

**For use in hazardous locations**

[Manufacturer declaration](#)

#### Further information

**Information- and Downloadcenter (Catalogs, Brochures,...)**

<http://www.siemens.com/industrial-controls/catalogs>

**Industry Mall (Online ordering system)**

<http://www.siemens.com/industrymall>

**Cax online generator**

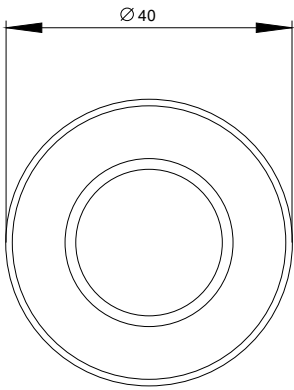
<http://support.automation.siemens.com/WW/CAXorder/default.aspx?lang=en&mlfb=3SU10001BD200AA0>

**Service&Support (Manuals, Certificates, Characteristics, FAQs,...)**

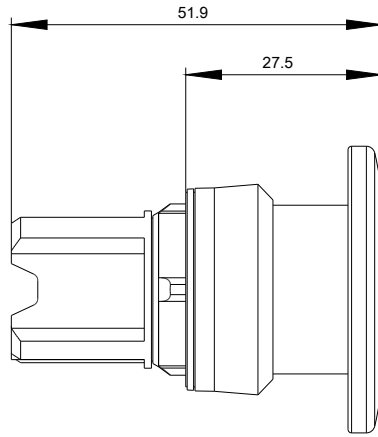
<https://support.industry.siemens.com/cs/ww/en/ps/3SU10001BD200AA0>

**Image database (product images, 2D dimension drawings, 3D models, device circuit diagrams, EPLAN macros, ...)**

[http://www.automation.siemens.com/bilddb/cax\\_de.aspx?mlfb=3SU10001BD200AA0&lang=en](http://www.automation.siemens.com/bilddb/cax_de.aspx?mlfb=3SU10001BD200AA0&lang=en)



last modified:



01.06.2015